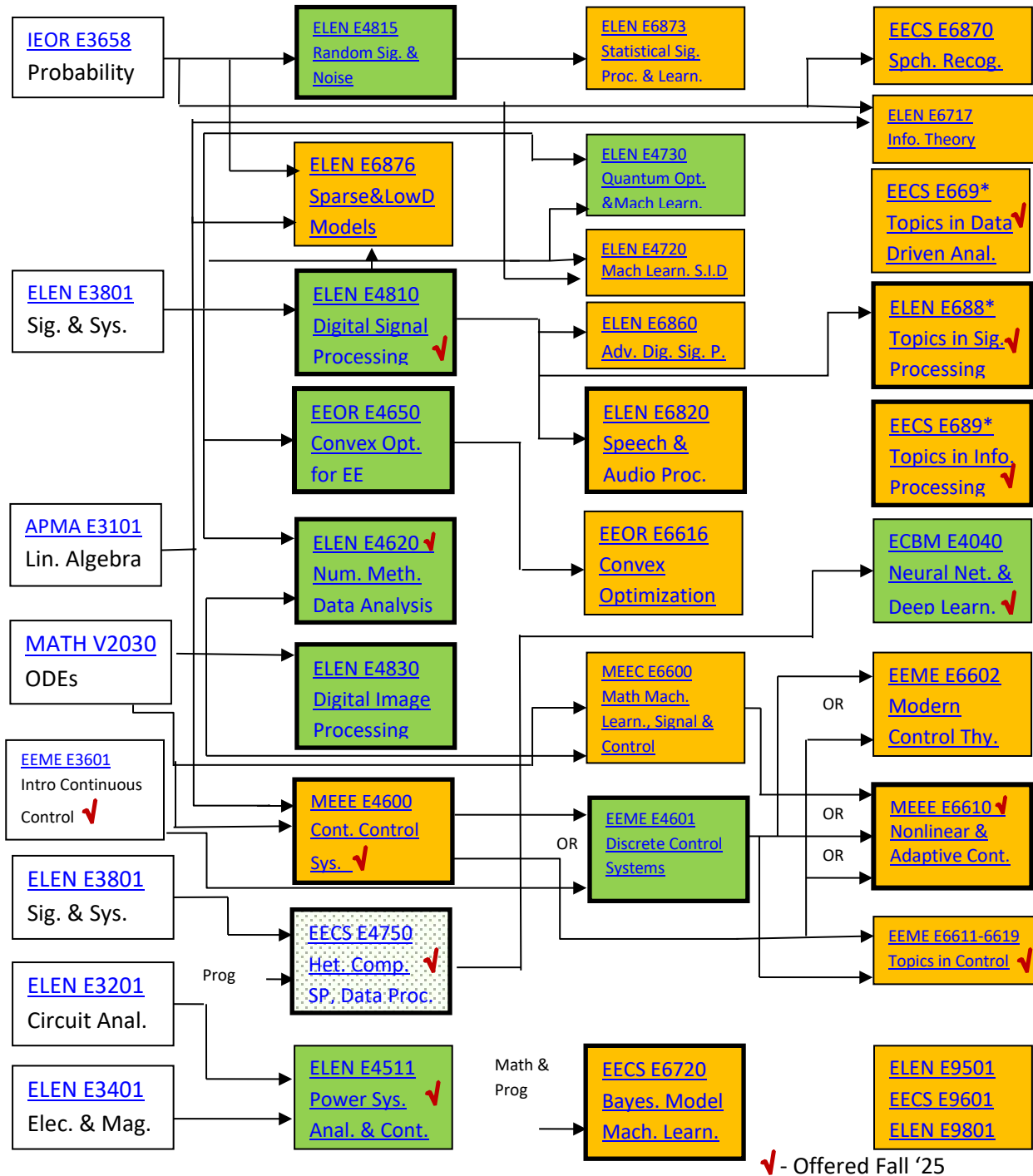


SIGNALS, INFORMATION, DATA, LEARNING & CONTROL  
(Senior/graduate & Advanced graduate courses in EE)



Green = Senior/grad; Orange = Advanced graduate; Bold border = offered regularly; Updated July 2025

Recent topics for ELEN E688\*, EECS E689\*, EECS E669\*, & other related topics courses: (Red=Offered Fall '25)

- EECS E6690 Topic: Machine Learning in Bio. & Info. Sys. (Fall '25-'18, Spring '18)
- EECS E6691 Topic: Advanced Deep Learning (Spring '22, '21)
- EECS E6692 Topic: Deep Learning on the Edge (Spring '22)
- EECS E6693 Topic: Adv. in VLSI Design Auto. and Methodol. (Fall '25, '23)
- EECS E6699 Topic: Mathematics of Deep Learning (Spring '23, '22, '21, '19)
- ELEN E6880 Topic: Rand. Matrix Theory with Eng & Data Sci App (Fall '19, '18)
- ELEN E6883 Topic: An Intro to Blockchain Technology (Spring '21, '20, '19)
- ELEN E6884 Topic: Biomedical Signal and Image Proc. and Lear. (Fall '25)
- ELEN E6885 Topic: Reinforcement Learning (Fall '25-'17)
- ELEN E6887 Topic: Classical and Quantum Error Correction Coding (Fall '25)
- ELEN E6889 Topic: Large-Scale Stream Proc. (Spr '21, '17, Fall '15, Spr '14, '10)
- EECS E6893 Topic: Big Data Analytics (Fall '25-'21, '17, '16, '15, '14)
- EECS E6894 Topic: Deep Learning for Comp. Vision & NLP (Fall '18, Spr '17, '15)
- EECS E6895 Topic: Adv. Big Data Analytics (Spring '21, '15-'20)
- EECS E6896 Topic: Coding for Dist. Storage and Computing Sys. (Fall '23)

- EECS E6896 Topic: Quantum Computing and Comm (Fall '25, '22, '21)
- EECS E6897 Topic: Distributed Storage Sys. For Big Data (Fall '21, '20, '19)
- EECS E6897 Topic: Cloud Data Infrastructure (Fall '22)
- EEME E6911 Topics in Control: Probabilistic Robotics (Fall 25)

